

OCULUS | Mesotest II

Device for Testing
Mesopic Vision and Glare



 OCULUS®

We focus on progress

OCULUS Mesotest II

The Classic One

Tests of mesopic vision and glare sensitivity are important supplements to photopic vision testing, especially when night driving capacity must be assessed. If the patient has IOL implants or has undergone refractive surgery, it is advisable to check mesopic vision and glare sensitivity both pre- and postoperatively as well as before prescribing tinted lenses.

Free Space

Tests are carried out under normal visual conditions without occurrence of instrument myopia. The unit is designed such that results remain unbiased by interpupillary distance.

Fast

Pulse motors control test sequences quickly and with pinpoint precision.

Easy to Use

The examination program is run at the touch of a key. The instrument is compact in design; no switching of test discs is necessary.

Reliable

Programmed control of test runs eliminates user errors.

Flexible

Measurements can even be taken in brightly lit rooms.

Transportable

The compact device only weighs 7.8 kg; an optional carrying case makes for easy transport.

Data Transfer

The software module allows you to perform Mesotest II exams from a PC. Data can be transferred to EDP systems in medical practices.

> *Mesotest II with optional control panel and test sheet*

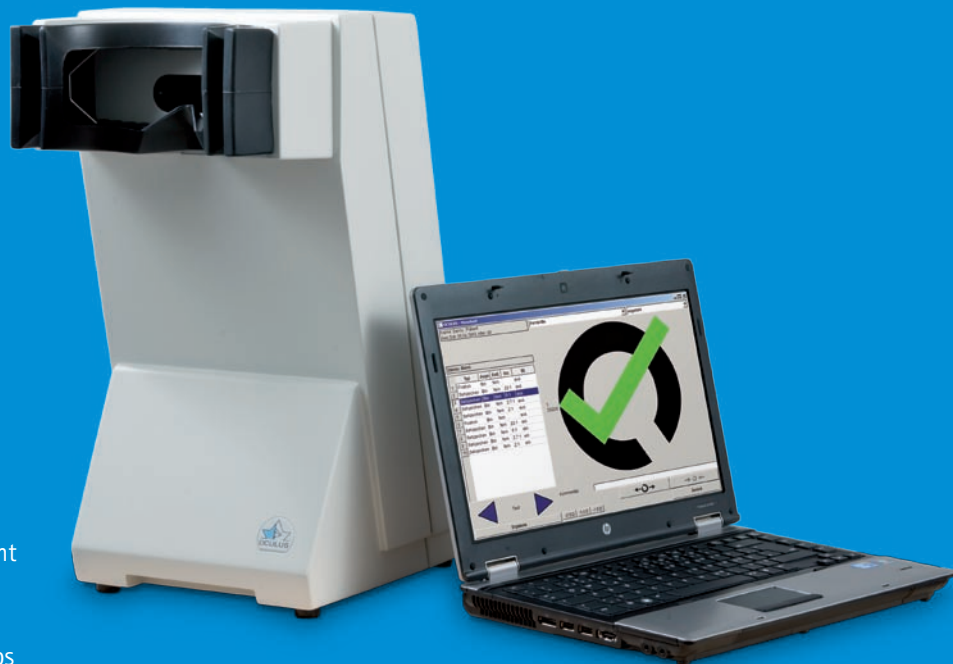


The Mesotest II meets the requirement of FeV

For more than 40 years OCULUS has manufactured instruments for testing mesopic vision and glare sensitivity; these units more than meet the requirements of the German Ophthalmological Association.

Details

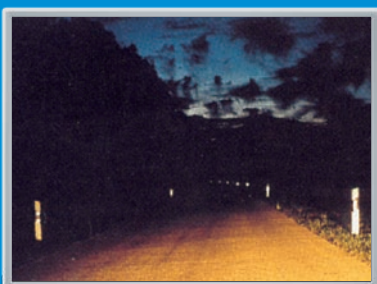
- Four contrast levels without glare (surr. illumination 0.032cd/m^2)
- Four contrast levels with glare (Glare source at a viewing angle of 3° , surr. illumination 0.1 cd/m^2)
- Landolt ring in six positions for every contrast level
- Motor-operated test procedures
- All tests are mounted on a dust-protected, high-quality optical projector disc
- The elastic viewing aperture is made of pleasant-to-the-touch material
- Innovative – no fogging up of spectacles or viewing aperture
- Convenient and safe handling of instrument via user-friendly illuminated control unit or serial PC/laptop interface
- LED light source – no need to change lamps



> Mesotest II with laptop

Mesotest II concave (optional)

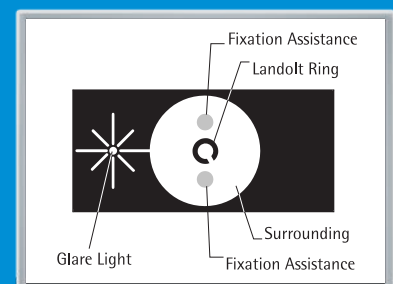
- Motor-operated interchange of minus lenses ($-0.5\text{ D}/-1.0\text{ D}/-1.5\text{ D}$) for detection of night myopia
- Motor-operated interchange of occluders for monocular examinations



> Street scene at night



> Luminance values of street scene at night in cd/m^2



> Test field with glare light source

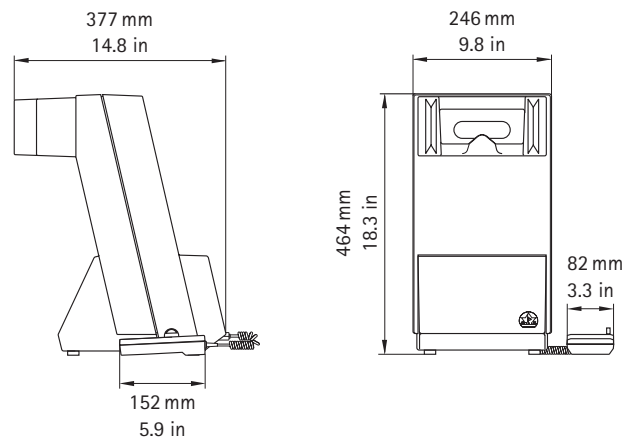
Technical Data

OCULUS Mesotest II

Test characteristics	
Illumination	LED
Landolt ring size	Equivalent to VA 0.1 = 6/60
Contrast levels	1:23 / 1:5 / 1:2.7 / 1:2
Technical specifications	
Dimensions (W x D x H)	246 x 377 x 464 mm (9.6 x 14.8 x 18.3 in)
Weight	6.5 kg (14.3 lbs)
Max. power consumption	36 W
Voltage	90-264 V AC
Frequency	50-60 Hz
Dimensions of the control unit (W x D x H)	82 x 152 x 45 mm (3.2 x 6.0 x 1.8 in)
Min. computer requirements	Operating system: optional software is 64 bit Windows® compatible

CE in accordance with Medical Device Directive 93/42/EEC

> Carrying case
for Mesotest II



WWW.OCULUS.DE



OCULUS is certified by TÜV according to
DIN EN ISO 13485

OCULUS Optikgeräte GmbH
Postfach • 35549 Wetzlar • GERMANY
Tel. +49-641-2005-0 • Fax +49-641-2005-295
Email: export@oculus.de • www.oculus.de

- OCULUS USA, sales@oculususa.com
- OCULUS Asia, info@oculus.hk
- OCULUS Czechia, oculus@oculus.cz
- OCULUS Iberia, info@oculus.es
- OCULUS Poland, biuro@oculus.pl

The availability of products and features may vary by country. OCULUS reserves the right to change product specifications and design.

24/0413/EN/FR
P/62800/EN

